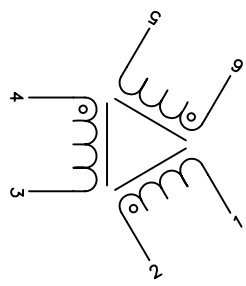
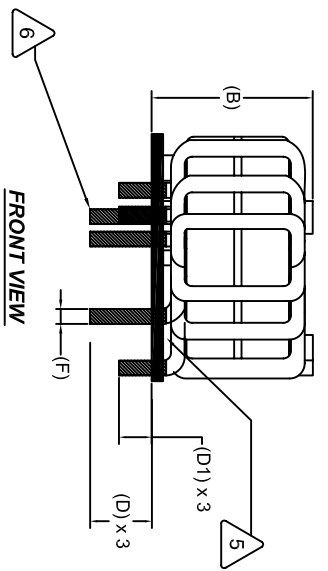


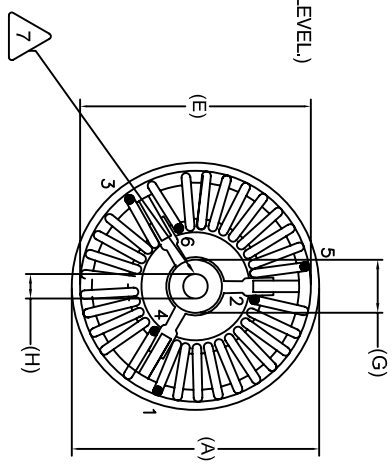
The information contained in this drawing is the sole property of Coil Winding Specialist Inc. (CWS). Any reproduction in part or whole without written permission of CWS is prohibited.

DIMENSIONAL TOLERANCE INCHES [MM]				REVISION HISTORY										
A(OD) Max	B(HGT) Max	D1(LEAD) Min	D(LEAD) Min	E TYP	F (Lead Dia) TYP	G TYP	H Min	REV	ECN	DESCRIPTION	BY	DATE	CHK	DATE
2.600 [66.04]	1.800 [45.72]	0.500 [12.70]	0.750 [19.05]	2.500 [63.50]	0.081 [2.05]	0.600 [15.23]	0.300 [7.61]	A		PRODUCTION RELEASE	GN	12/15/10	JLU	12/15/10
								B		ADDED BASE AND ADJUSTED DIMENSIONS AND ELECTRICAL	KC	11/10/11	AK	11/10/11
								C	140625	CHANGE SPACER AND ADJUSTED DIMENSIONS AND ELECTRICAL	AK	6/20/14	JLU	6/20/14

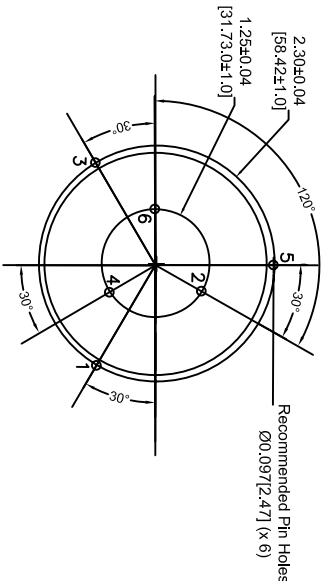


SCHEMATIC

- 9 BUILT TO ROHS COMPLIANCE
- 8 LABEL PART NUMBER AT THE BOTTOM OF THE BASE.
- 7 BOTTOM BASE CENTER HOLE DIAMETER
- 6 TRIM INNER LEADS TO 0.75 AND OUTER LEADS TO 0.5 INCH FROM BOTTOM OF BASE
- 5 APPLY EPOXY BETWEEN COIL AND BASE
- 4 STRIP AND TIN LEADS (NO INSULATION IS ALLOWED BELOW THE BASE LEVEL.)  
 WEIGHT = ~260 GRAMS  
 OPERATING TEMP RANGE = -40 °C TO 125°C  
 MAX TEMP RISE = 40 °C  
 INTERWINDING ISOLATION = 2000 VOLTS RMS.  
 DCR ON EACH WINDING = 7 mΩ MAX.  
 SRF ~ 1.1 MHz TYP  
 RATED VOLTAGE = 1000 VAC OR VDC  
 RATED CURRENT = 25 AMPS  
 LEAKAGE INDUCTANCE = 16 uH TYP @ 10 KHz, 0.25 Vrms.  
 INTERWINDING CAPACITANCE = 8 pF TYP @ SRF  
 IMPEDANCE = 8 kΩ NOM @ SRF  
 L = 10.5 mH MIN @ 10 KHz, 0.25 Vrms, 0 ADC
- 3 SPECIFICATIONS AT 25°C:



TOP VIEW



MOUNTING HOLES PATTERN

- 2 CORE: NANOCRYSTALLINE OR AMORPHOUS CORE
  - 1 CASE RATING CLASS B (130°C) REQUIRED MATERIAL: UL RECOGNIZED FOR FLAMMABILITY
- NOTES: UNLESS OTHERWISE SPECIFIED, READ NOTES FROM BOTTOM TO TOP.  
 CAGE CODE: 5DME2

UNLESS OTHERWISE SPECIFIED		AUTOCAD		X	
DIMENSIONING AND TOLERANCE PER ANSI Y14.5M AND [DIMETERS]		SOLIDWORKS		SIGN	
TOLERANCE INCHES: ±0.005		DRAWN		AK	
TOLERANCE METRICS: ±0.13		CHECKD		BO	
ANGLE PROJECTION: FIRST ANGLE		ENGR.		JLU	
DO NOT SCALE DRAWING		APPR.		JLU	
		DATE		12/16/10	
www.coliws.com		TITLE:		Nanocrystalline Inductor	
353 West Grove Ave		Horizontal Mount		TPC-113U-B25A	
Orange, California, 92865		SCALE		N/A	
		SHEET		10F	
		REV		C	